



Caltech
SHINES



Saturday, April 3, 2021
10:00 am to 3:00 pm

Hosted by the Division of Biology and Biological Engineering &
Chemistry and Chemical Engineering

Saturday, April 3rd, 2021 - Schedule of Events:

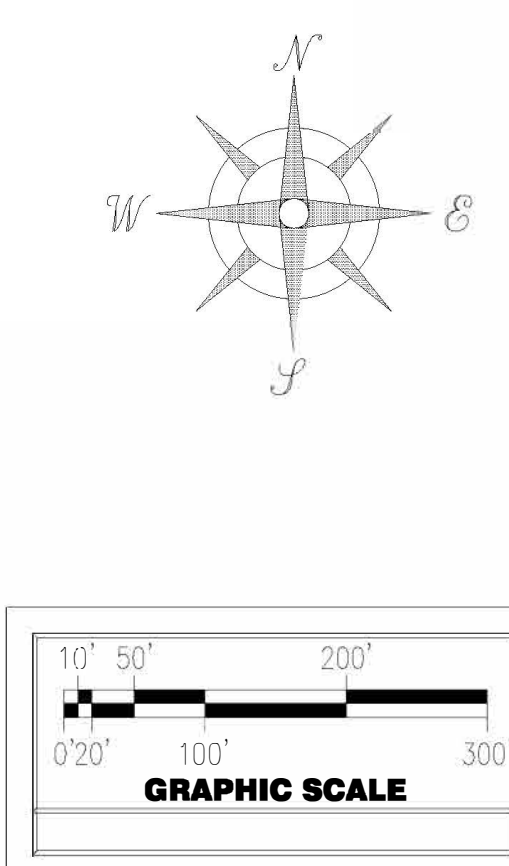
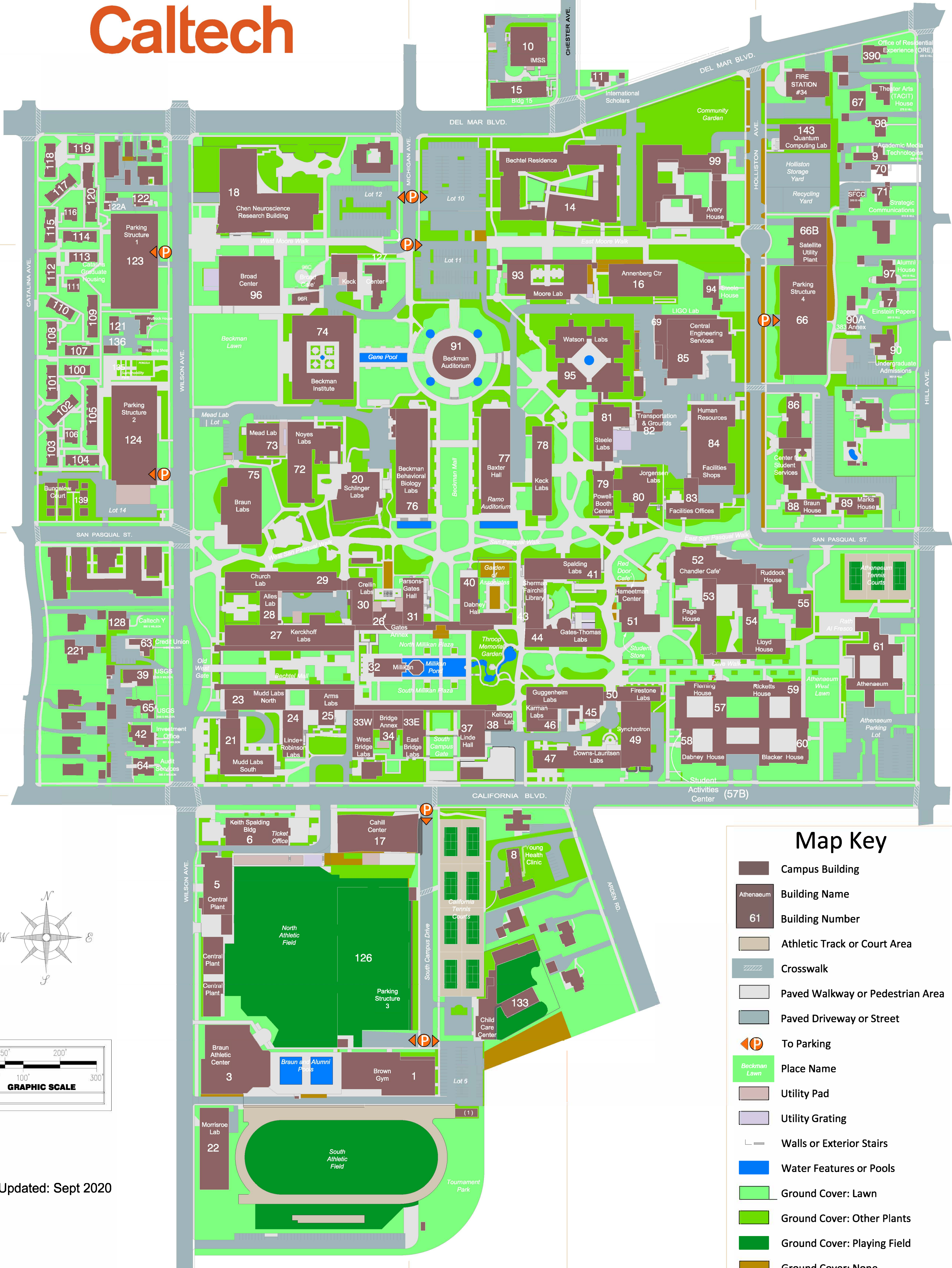
Session 1 - Campus Life: [Join Here](#)

10:00 am	<p>Opening remarks (Bil Clemons)</p> <p>Tom Rosenbaum - President of Caltech</p> <p>David Chan - Dean of Graduate Students</p> <p>Ellen Yan - Graduate Student Counsel Representative</p> <p>Lindsey Malcolm-Piqueux - Assistant Vice President, Diversity, Equity, Inclusion & Assessment</p>
10:55 am	<p>Life at Caltech Video</p>
11:00 am	<p><u>Graduate Resources:</u></p> <p>Greg Fletcher - Program Director, Caltech Y</p> <p>Felicia Hunt - Assistant Vice President for Student Affairs and Residential Experience (ORE)</p> <p>Taso Dimitriadis - Interim Director of Caltech Center for Inclusion & Diversity</p> <p>Hima Vatti - Assistant Vice President, Equity & Title IX Office</p> <p>Jennifer Howes - Assistant Vice President for Student Affairs and Wellness</p> <p>Lee Coleman - Clinical Director of Counseling Services</p> <p>Grace Ho - Occupational Therapist, Occupational Therapy</p> <p>Candace Rypisi - Assistant Vice Provost and Director of Student-Faculty Programs</p> <p>Cassandra Horii - Assistant Vice Provost and Director of Center for Teaching, Learning, and Outreach</p> <p>Laura Kim - Associate Director for International Office at Caltech and JPL</p> <p>Vic Clay - Director of Campus Security</p> <p>Betsy Mitchell - Director of Athletics, Physical Education and Recreation</p>
11:30 am	<p><u>Zoom Breakout Rooms:</u></p> <p>GSC, Health & Counseling, Diversity Resources, Recreation, Housing and Family Support, Teaching and Outreach, ISP, Grad Office</p>

Saturday, April 3rd, 2021 - Schedule of Events:

12:30 pm	Break														
Session 2 - Division and Option															
01:00 pm	<p><u>Chair Introduction:</u> Dennis Dougherty - Chemistry and Chemical Engineering Division</p> <p>Richard Murray - Biology and Biological Engineering Division</p>														
01:05 pm	Division Town Hall: Join here for CCE ; Join here for BBE														
Session 3 - Affinity and Identity Groups															
1:30 pm - 3:00 pm	<p>Gather.town Meet-Up Tables: Password - Shines2021</p> <table border="0"> <tr> <td>BMB</td> <td>Graduate Christian Fellowship</td> </tr> <tr> <td>Caltech Y</td> <td>GSRI Alums</td> </tr> <tr> <td>Chem Grad Student Committee</td> <td>Recreation Options</td> </tr> <tr> <td>DICI</td> <td>Health Resources</td> </tr> <tr> <td>Grad Student Council (GSC)</td> <td>Option Tables</td> </tr> <tr> <td>International Student Issues</td> <td>Neurotechers</td> </tr> <tr> <td>Caltech Jazz Band</td> <td></td> </tr> </table>	BMB	Graduate Christian Fellowship	Caltech Y	GSRI Alums	Chem Grad Student Committee	Recreation Options	DICI	Health Resources	Grad Student Council (GSC)	Option Tables	International Student Issues	Neurotechers	Caltech Jazz Band	
BMB	Graduate Christian Fellowship														
Caltech Y	GSRI Alums														
Chem Grad Student Committee	Recreation Options														
DICI	Health Resources														
Grad Student Council (GSC)	Option Tables														
International Student Issues	Neurotechers														
Caltech Jazz Band															

Caltech



Map Updated: Sept 2020

Map Key

	Campus Building
	Building Name
	Building Number
	Athletic Track or Court Area
	Crosswalk
	Paved Walkway or Pedestrian Area
	Paved Driveway or Street
	To Parking
	Place Name
	Utility Pad
	Utility Grating
	Walls or Exterior Stairs
	Water Features or Pools
	Ground Cover: Lawn
	Ground Cover: Other Plants
	Ground Cover: Playing Field
	Ground Cover: None